

Manufactured by:



PO Box 458 · 1462 340th Street · Adair, Iowa 50002
Phone: 1-800-232-4742 · Fax: 1-800-282-3353
www.agridrain.com · email: info@agridrain.com

Water Quality Inlets

Farmer-friendly surface inlet: flexible material reduces damage on impact!

Agri Drain's low-velocity Water Quality Inlets replace standard inlets in farm fields, ditches, dry dams, and terraces.

They **resist plugging** and **improve water quality** by filtering debris before it enters the drainage system.

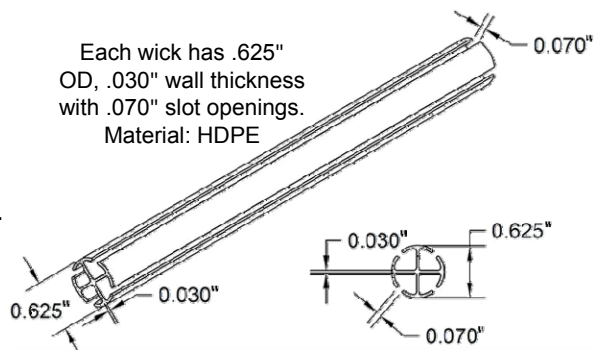
- ◆ Available in 4", 6", or 8" diameter in 18" or 36" heights.
- ◆ Available in green or yellow.
- ◆ 12"-tall mesh sock is installed at the base of the wick to provide additional filtration as soil settles after installation.
- ◆ 6"-diameter adapter provides a stable connection to Hickenbottom, Precision, or Quick Drain underground sections, and corrugated plastic tubing. Base will snap into single-wall corrugated plastic tubing.
- ◆ All intakes require periodic maintenance.



6"-diameter adapter

Applications That Water Quality Inlets Can Be Used For:

- ◆ Grassed buffers (image shown below).
- ◆ Aquaculture ponds to help eliminate fish loss.
- ◆ Replacing standard inlets to achieve equal or greater flow.
- ◆ Areas with tall grass or high trash.
- ◆ Outlet guards if there are ditch cleaning activities.
- ◆ Bioreactors to allow water to be introduced or removed over large areas.
- ◆ Residential inlet which is aesthetically pleasing.



Grassed Buffer With Water Quality Inlets On Tile Outlet Terraces

We recommend modifying the design of the channel to include a grass buffer and a series of Water Quality Inlets installed in the channel of the terrace to slowly drain and filter normal rainfall, and a conventional terrace channel inlet installed at 1' to 1½' above the flow line of the channel to act as a safety overflow to protect the structure during high rainfall events.

